



US006366762B1

(12) **United States Patent**
Miller et al.

(10) **Patent No.:** **US 6,366,762 B1**
(45) **Date of Patent:** **Apr. 2, 2002**

(54) **SYSTEM AND METHOD FOR MEASURING ROUND TRIP DELAY ON THE PAGING AND ACCESS CHANNELS**

(75) Inventors: **David S. Miller**, Carlsbad, CA (US);
Nadav Levanon, Ramat-Gan (IL);
Avneesh Agrawal, San Jose, CA (US)

(73) Assignee: **Qualcomm, Inc.**, San Diego, CA (US)

(*) Notice: Subject to any disclaimer, the term of this patent is extended or adjusted under 35 U.S.C. 154(b) by 0 days.

(21) Appl. No.: **09/338,163**

(22) Filed: **Jun. 22, 1999**

Related U.S. Application Data

(60) Provisional application No. 60/127,472, filed on Mar. 31, 1999.

(51) **Int. Cl.**⁷ **H04B 17/00**; H04B 7/185;
G01S 3/52; G01S 5/02

(52) **U.S. Cl.** **455/67.6**; 455/67.1; 455/12.1;
455/456; 342/357.05; 342/357.08; 342/351.1;
342/418

(58) **Field of Search** 342/352, 357.05–357.06,
342/357.08–357.09, 351.1, 418, 457, 375;
455/67.6, 67.1, 456, 12.1

(56) **References Cited**

U.S. PATENT DOCUMENTS

5,280,629 A * 1/1994 Lo Balbo et al. 455/67.6

5,515,062 A * 5/1996 Maine et al. 342/457
5,943,606 A * 8/1999 Kremm et al. 455/12.1
6,047,161 A * 4/2000 Sowles et al. 455/12.1
6,107,959 A * 8/2000 Levanon 342/357
6,137,441 A * 10/2000 Dai et al. 342/357.05
6,298,238 B1 * 10/2001 Dai 355/456

* cited by examiner

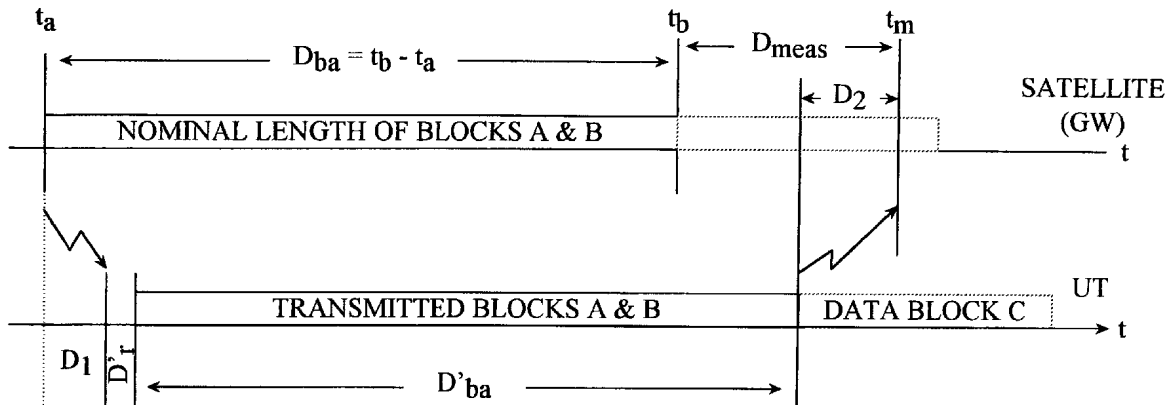
Primary Examiner—Dwayne Bost
Assistant Examiner—Raymond B. Persino

(74) *Attorney, Agent, or Firm*—Philip R. Wadsworth;
Gregory D. Ograd

(57) **ABSTRACT**

A system and method for determining a round trip delay of signals transmitted between first and second objects, such as a satellite and a mobile telephone, that move relative to each other. A first signal is transmitted from the first object to the second object. The first signal is received at the second object after a propagation delay D_1 , the delay D_1 being the time taken by the first signal to traverse from the first object to the second object. A frequency of the first signal is measured at the second object. The second object then transmits to the first object a second signal containing a report of the measured first frequency. The second signal is received at the first object after a propagation delay D_2 , D_2 being the time taken by the second signal to traverse from the second object to the first object. The first object measures a frequency of the second signal. The first object then determines the range between the first and second object from the measured overall delay and the measured frequencies of the first and second signals.

36 Claims, 5 Drawing Sheets



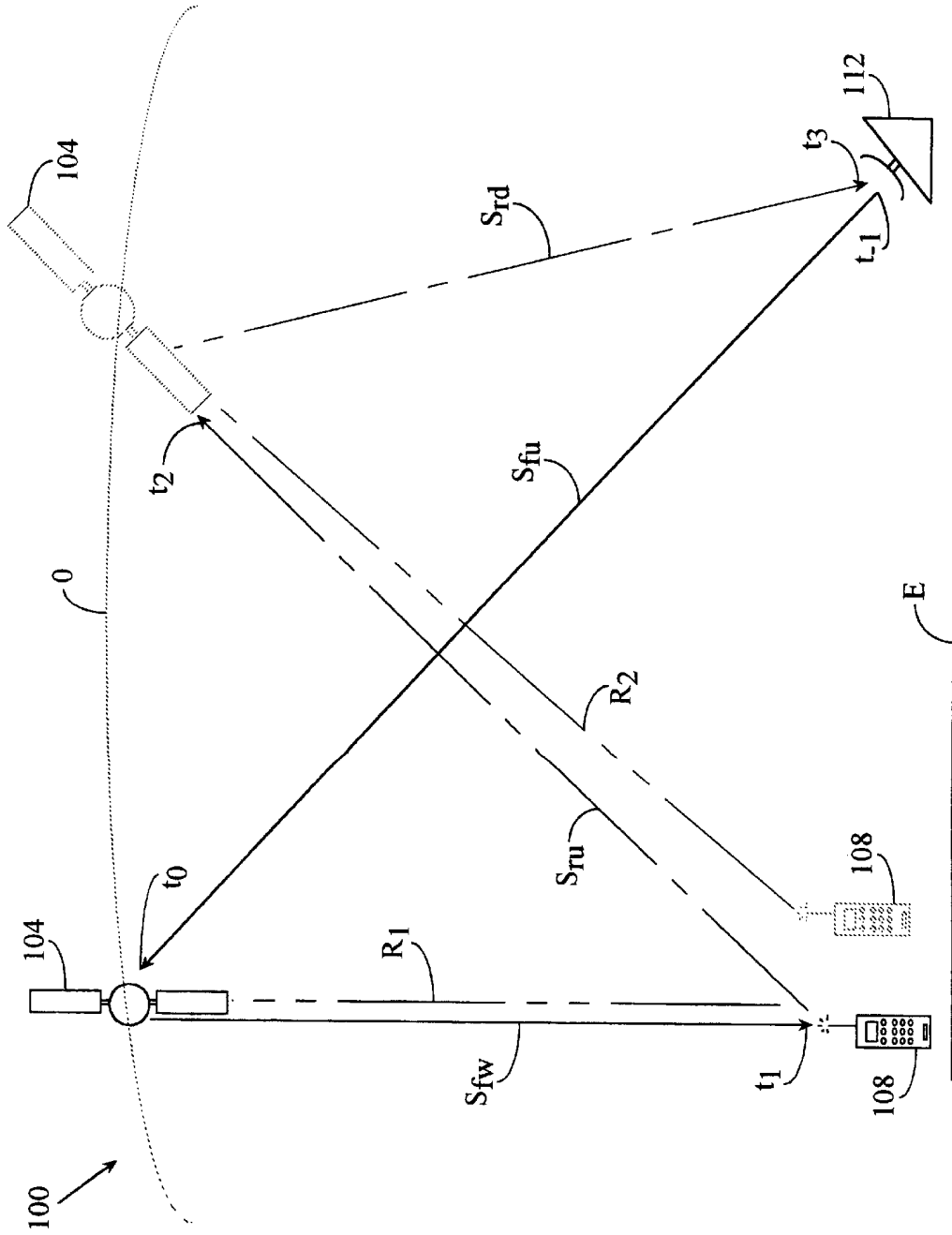


FIG. 1

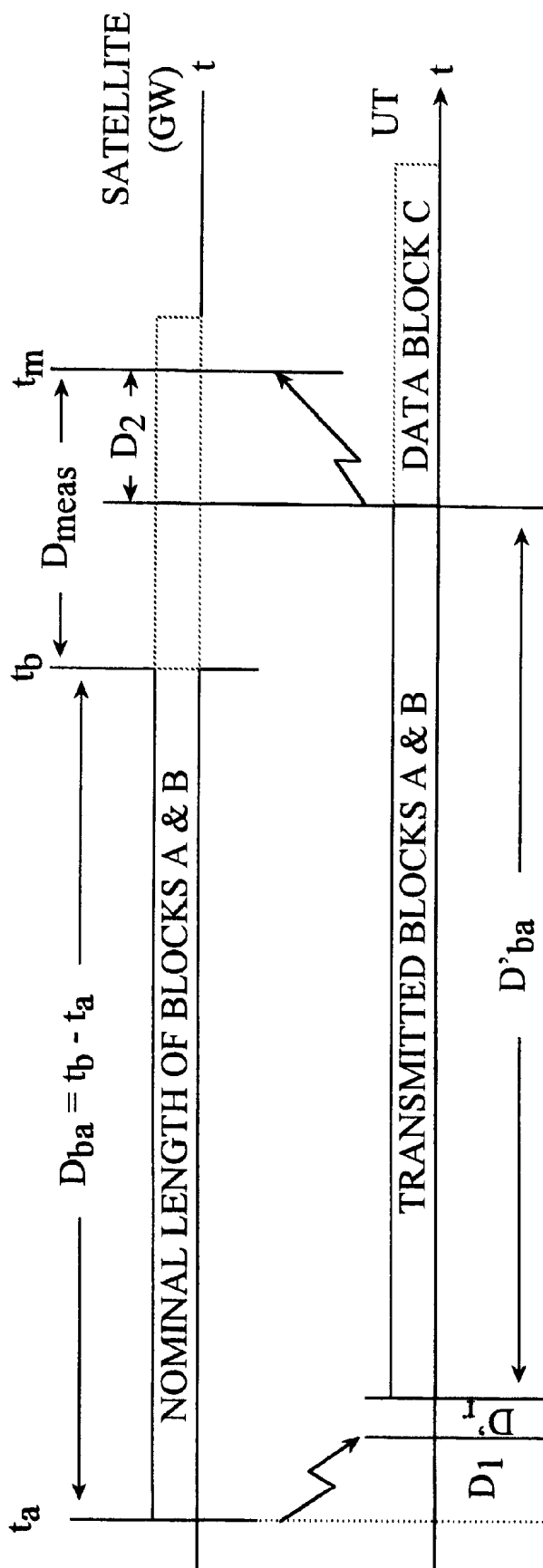


FIG. 2

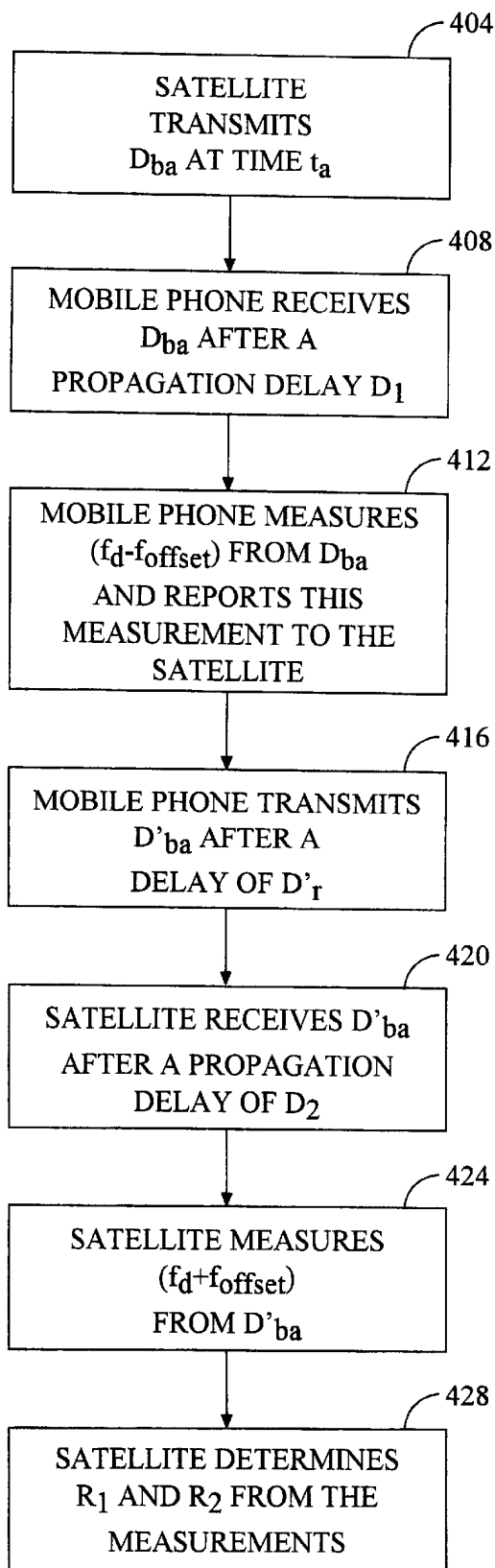


FIG. 3

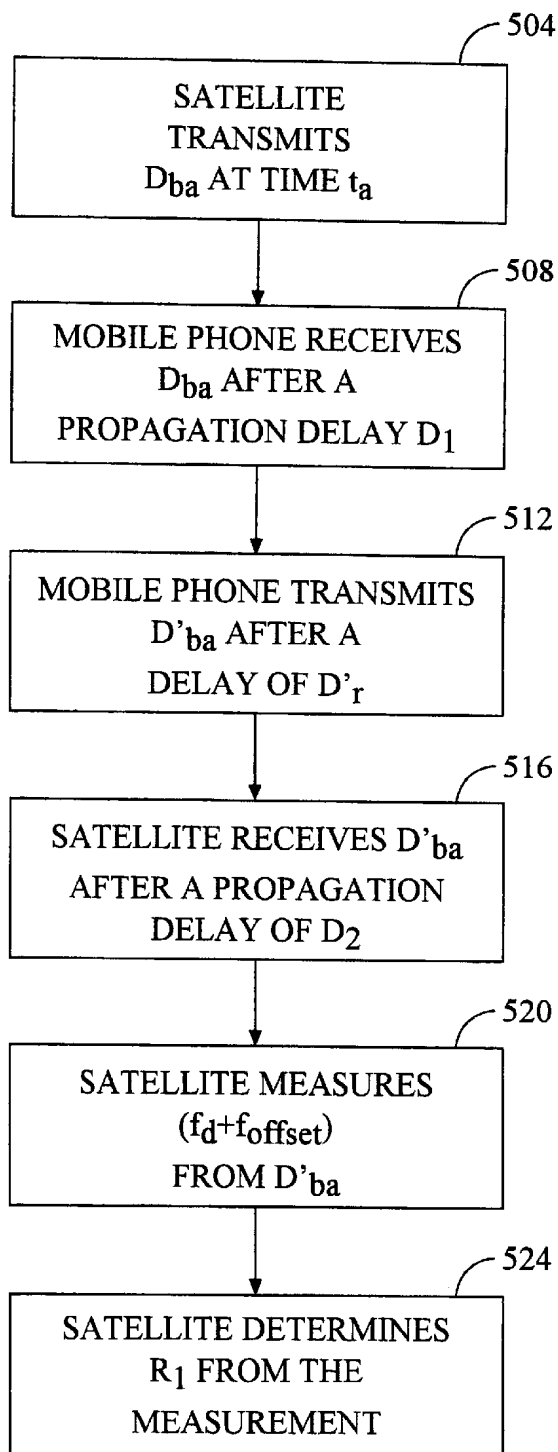


FIG. 4

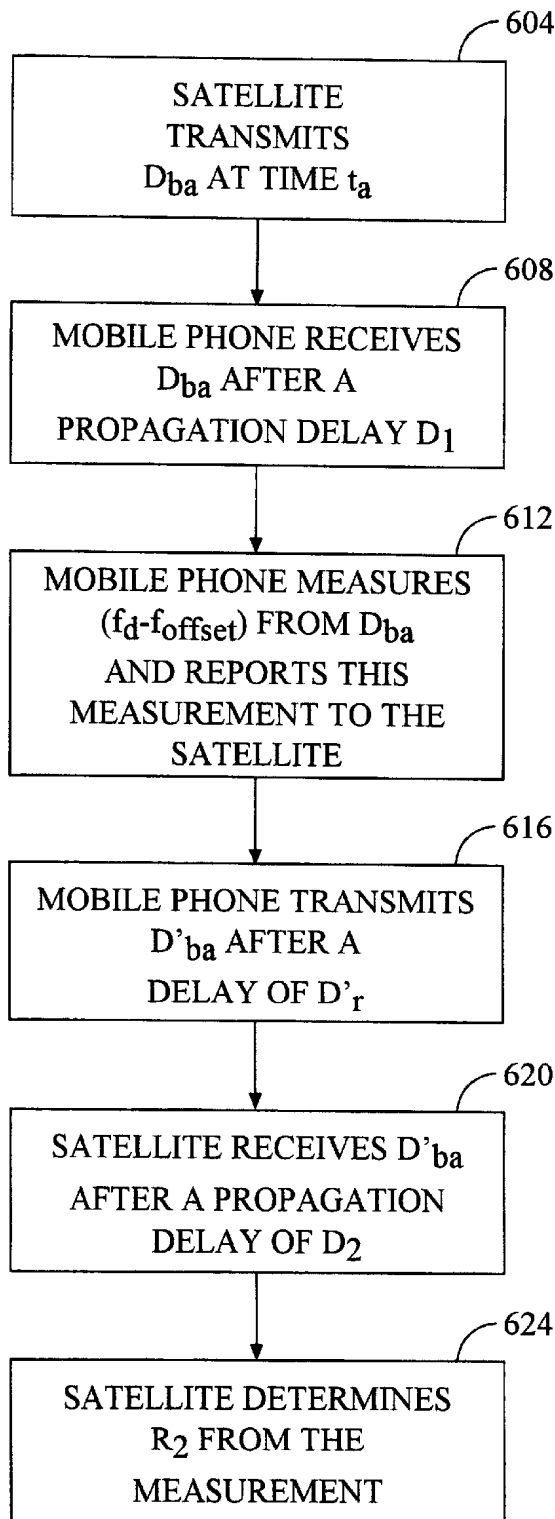


FIG. 5

SYSTEM AND METHOD FOR MEASURING ROUND TRIP DELAY ON THE PAGING AND ACCESS CHANNELS

The Appln claims benefit of Prov. No. 60/127,472 filed Mar. 31, 1999.

BACKGROUND OF THE INVENTION

I. Field of the Invention

The present invention relates generally to wireless communication systems and, more specifically, to a system and method for determining the position of a user terminal that communicates with an earth orbit satellite. Still more specifically, the invention relates to a system and method for measuring the round trip delay on the access channel between a gateway and a user terminal.

II. Description of the Related Art

There is an increasing need in the wireless communications environment for mobile phone location information. For example, with the advent of satellite telephone communications capabilities, it is important to determine the location of a user terminal (the mobile phone) for various reasons including billing and/or geopolitical boundaries. For example, position is needed to select an appropriate ground station or service provider (for example, a telephone company) for providing communication links. A service provider is typically assigned a particular geographic territory, and handles all communication links or calls with users located in that territory. A similar consideration arises when calls must be allocated to service providers based on political boundaries or various contractual relationships.

One industry in particular in which one can see the importance of position information is the commercial trucking industry. In the commercial trucking industry or delivery business, an efficient and accurate method of vehicle position determination is in demand. With ready access to vehicle location information, the trucking company obtains several advantages. The trucking company can keep the customer apprized of location, route and the estimated arrival time of payloads. The trucking company can also use vehicle location information together with empirical data on the effectiveness of routing, thereby determining the most economically efficient routing paths and procedures.

In the past, vehicle location information has been communicated to the trucking company home base by the truck drivers themselves, via telephones, as they reach destinations and stopovers. These location reports are intermittent at best, because they only occur when the truck driver has reached the destination or stopover and can take the time to phone the trucking company home base. These location reports are also quite costly to the trucking company because in effect they cause substantial down time of the freight carrying vehicle. This down time is due to the fact that to make a location report, the tractor driver must remove his vehicle from route, find a telephone which he can use to phone the home base, and take the time to make the location report. This method of location reporting also leaves room for substantial inaccuracies. For example, truck drivers may report incorrect information either mistakenly or intentionally, or report inaccurate estimates of times of arrival and departure.

Presently, the commercial trucking industry is implementing versatile mobile communication terminals for use in their freight hauling tractors. These terminals are capable of providing two-way communication between the trucking company home base and the truck. Typically, the commu-

nications are via satellite between the truck and a network communications center or hub.

Using the radio communication capabilities at each mobile terminal to provide vehicle position determination offers great advantages to the commercial trucking industry. Location reports would no longer be intermittent because the trucking company home base could locate a vehicle at will. No down time of the freight hauling vehicle would be required because the communications necessary for determining location could take place while the truck is en route. Also, inaccuracies in location reports would be virtually eliminated because the trucking company home base would be almost instantaneously ascertaining accurate vehicle location information.

However, using the radio communication capabilities at mobile terminals to provide a vehicle or user position is difficult when both the satellite and the vehicle continuously change their position. That is, when low or medium Earth orbiting (LEO or MEO) satellites are used for transferring signals, and when the user or vehicle changes location rapidly or frequently. Due to the orbit of the satellite and the movement of the vehicle, the range between them continuously changes. This makes it difficult to accurately measure the range between the satellite and the mobile phone, and ultimately the location of the phone on the earth's surface. This problem is further discussed below in an example involving two objects that communicate with each other.

Generally, the range between two objects that communicate with each other can be determined in the following way. The first object transmits a first signal and notes the time of transmission. The second object receives the first signal and immediately transmits a second signal. The first object receives the second signal and notes the total time elapsed between the transmission of the first signal and the reception of the second signal. The first object then determines the round trip delay RTD from the relationship $RTD=cD/2$, where c is the speed of light and D is the total time elapsed between the transmission of the first signal and the reception of the second signal. The range between the two objects can then be determined from RTD.

Unfortunately, this simple relationship ($RTD=cD/2$) yields an accurate value of R only if (a) the two objects have fixed positions; and (b) the oscillators of both the sending and receiving units are known and stable. In other words, if one of the objects is moving relative to the other object, and/or the oscillator of one of the transmitters is inherently unstable, the simple relationship does not yield an accurate result. Thus, if the first object is a moving object, such as an orbiting communication satellite, and the second object is another moving object, such as a mobile phone mounted on a vehicle, this relationship does not yield an accurate result. Due to the orbit of the satellite and the movement of the mobile phone, the range between the two changes during the time period D . In this scenario, R_1 is the range between the satellite and the mobile phone at the time the satellite transmits the first signal and R_2 is the range at the time the satellite receives the second signal. Needless to say, it is difficult to determine the actual ranges R_1 and R_2 between the mobile phone and the satellite. The ranges can be determined as a function of the round trip delay RTD of signals between a gateway and a mobile phone. A mechanism is therefore needed to accurately determine RTD.

Previously, since it was not possible to accurately determine either R_1 or R_2 , which are the ranges from the satellite to the mobile phone at two slightly different time instances, from a measurement that involves their sum, it was difficult

3

to effectively determine the position of the mobile phone. If a method to effectively determine R_1 or R_2 is provided, it will be possible to determine the position of the mobile phone. Using R_1 (or R_2), and the absolute Doppler, which is equivalent to the range-rate, the position of the mobile phone can be determined. Obtaining the true Doppler, which can be used in determining the range rate, is a subject of U.S. Pat. No. 6,137,441, entitled "Accurate Range and Range Rate Determination in A Satellite Communications System", which is assigned to the assignee of the present invention and is incorporated herein by reference. The technique of that disclosure is only briefly described herein (see Equation 18, *infra*). Thus an important consequence of determining R_1 and R_2 is that it will then be possible to obtain the position of the mobile phone.

SUMMARY OF THE INVENTION

The present invention is directed to a system and method for determining a round trip delay of signals transmitted between first and second objects, such as a satellite and a mobile telephone, that move relative to each other. In one aspect of the invention, a first signal is transmitted from the first object to the second object. The first signal is received at the second object after a propagation delay D_1 , the delay D_1 being the time taken by the first signal to traverse from the first object to the second object. A frequency of the first signal is measured at the second object. The second object then transmits to the first object a second signal containing a report of the measured first frequency. The second signal is received at the first object after a propagation delay D_2 , D_2 being the time taken by the second signal to traverse from the second object to the first object. The first object measures a frequency of the second signal. The first object then determines the round trip delay from the measured delays and the measured frequencies of the first and second signals.

In another aspect, the invention is directed to determining a round trip delay of signals transmitted between first and second objects that move relative to each other, in which a first signal is transmitted from the first object. The first signal is received at the second object after a propagation delay D_1 . The second object then transmits second signal to the first object, which is received at the first object after a propagation delay D_2 . The frequency of the second signal is measured at the first object. The first object then determines the round trip delay from the measured delays and the first signal frequency, the round trip delay being a function of the range traversed by the second signal.

In a still farther aspect, the invention is directed to determining a round trip delay of signals transmitted between first and second objects that move relative to each other, in which a first signal is transmitted from the first object and is received at the second object after a propagation delay D_1 . The second object measures a frequency from the first signal and transmits to the first object a second signal containing a report of the measured first signal frequency. The second signal is received at the first object after a propagation delay D_2 . The first object then determines the round trip delay from the first signal frequency, the round trip delay being a function of the delay experienced during propagation of the second signal from the second object to the first object.

Further features and advantages of the invention, as well as the structure and operation of various embodiments of the invention, are described in detail below with reference to the accompanying drawings.

BRIEF DESCRIPTION OF THE DRAWINGS

The present invention will be described with reference to the accompanying drawings. In the drawings, like reference

4

numbers generally indicate identical, functionally similar, and/or structurally similar elements. The drawing in which an element first appears is indicated by the leftmost digit(s) in the reference number.

5 FIG. 1 illustrates a satellite communication system.

FIG. 2 is a time diagram which illustrates the method for determining the distance between a satellite and a mobile phone in accordance with the present invention.

10 FIG. 3 is a flow diagram illustrating methods 1 and 3 in accordance with the present invention.

FIG. 4 is a flow diagram illustrating method 2 in accordance with the present invention.

15 FIG. 5 is a flow diagram illustrating method 4 in accordance with the present invention.

DETAILED DESCRIPTION OF THE PREFERRED EMBODIMENTS

1. Overview and Discussion of the Invention

20 In a mobile telephone communications system, and especially in a satellite phone system, it is desirable and important to determine the position of the mobile phone unit (or user terminal). The need for the user terminal position information stems from several considerations. First, the position of the user terminal determines the geographic region in which the user is located, and that determines which service company provides communication service to the user in that region. Thus, determining the location of the user terminal is a pre-requisite to ensuring that the appropriate service provider receives billing credit for providing communication service to the user, that contracted for services or features are provided, or that the most appropriate ground stations are used.

35 Geopolitical issues based on political boundaries must also be taken into account in some situations. Consider the following scenario where country #1 and country #2 are unfriendly neighbors. A user terminal operates in country #1, where a service provider provides communication service. If a service provider in country #2 incorrectly receives billing credit for the service, it may be difficult to transfer the incorrectly credited amount from country #2 to country #1. If there are various contractual relationships for services for users that travel between the two countries, it may also be difficult to provide the appropriate levels of service the current user location, and so forth.

45 One conventional approach to position determination is that employed by the U.S. Navy's TRANSIT system. In that system, the user terminal performs continuous Doppler measurements of a signal broadcast by a low-Earth orbit (LEO) satellite. The measurements continue for several minutes. The system usually requires two passes of the satellite, necessitating a wait of more than 100 minutes. In addition, because the position calculations are performed by the user terminal, the satellite must broadcast information regarding its position (also known as "ephemeris"). Although the TRANSIT system is capable of high accuracy (on the order of one meter), the delay required in establishing a position is unacceptable for use in a commercial satellite communications system.

50 Another conventional approach is that employed by the ARGOS and SARSAT (Search and Rescue Satellite) systems. In that approach, the user terminal transmits an intermittent beacon signal to a receiver on the satellite, which makes frequency measurements of the signal. If the satellite receives more than four beacon signals from the user terminal, it can usually solve for the user terminal's

position. Because the beacon signal is intermittent, an extended Doppler measurement, such as that performed by the TRANSIT system, is unavailable.

Another conventional approach is that employed by the Global Positioning System (GPS). In that approach, each satellite broadcasts a time-stamped signal that includes the satellite's ephemeris. When the user terminal receives a GPS signal, the user terminal measures the transmission delay relative to its own clock and determines the pseudo-range to the transmitting satellite's position. The GPS system requires three satellites for two-dimensional positioning, and a fourth satellite for three-dimensional positioning.

One disadvantage of the GPS approach is that at least three satellites are required for position determination. Another disadvantage of the GPS approach is that, because the calculations are performed by the user terminal, the GPS satellites must broadcast their ephemeris information, and the user terminal must possess the computational resources to perform the required calculations.

A disadvantage of all of the above-described approaches is that the user terminal must have a separate transmitter or receiver, in addition to that required by the communications system, in order to use those approaches.

For these reasons, many in the satellite communications environment have recognized a need for a position determination system capable of rapid position determination. Also, there is a need for a low cost position determination system that accurately determines the position of a user terminal with minimal additional resources at the satellite and the user terminal.

In a satellite communication system, the position of a mobile user terminal can be determined as a function of the range between the satellite and the mobile user terminal and the rate of change of that range. Both are a function of the round trip delay of a signal transmitted from a gateway (fixed ground station transceiver) to a mobile user terminal via a satellite interface and back to the gateway, a frequency measurement made at the mobile user terminal, and a frequency measurement made at the gateway. Because of the movement of a satellite in orbit around the earth and the movement of a mobile phone on the earth's surface, the distance or range between the two changes continuously.

The greatest contribution to the change in geometric relation between the user terminal and the satellite is due to the satellite movement. A LEO satellite travels at an orbital velocity on the order of 16,000 miles per hour or about 4.4 miles per second. The user terminal, by contrast, travels at a typical ground speed of less than 60 miles per hour (about 88 feet per second). The change in position of the user terminal is so small relative to the change in satellite position that the user terminal position change can be effectively ignored. However, due to this relative movement, it is difficult to accurately measure the distance between a mobile phone (or user terminal) and a satellite. Consequently, it is difficult to determine the position of the mobile phone. This creates a problem in wireless communication systems where there is a need to accurately determine the position of the mobile phone.

The present invention provides a solution to this problem. The present invention provides a method for determining the round trip delay of a signal transmitted between a gateway and the mobile phone. From this information, the distance or range between the mobile phone and the satellite can be determined. An important consequence of the present invention is that it also provides a method for subsequently accurately determining the position of the mobile phone.

It must be noted that the utility of the present invention is not limited to satellites and mobile phones. In fact, in a broad sense, the present invention can be utilized to determine the range between any two moving objects that communicate with each other.

2. Example Environment

Before describing the invention in detail, it is useful to describe an example environment in which the invention can be implemented. In a broad sense, the invention can be implemented in a variety of communication systems. One such communication system **100** is illustrated in FIG. 1. Specifically, FIG. 1 shows a satellite **104** moving in an orbital path **O**. A mobile station, phone, or user terminal **108** is located effectively at or near the surface of the earth **E**. Mobile phone **108** comprises a wireless communication device such as, but not limited to, a cellular telephone, or a data or position determination transceiver, and can be handheld or vehicle-mounted as desired. However, it is also understood that the teachings of the invention may be applicable to fixed units where position determination is desired. The satellite transmits signals to, and receives signals from, mobile phone **108**, called a user terminal (UT), through a fixed ground station **112**, called a gateway (GW).

FIG. 1 is presented to illustrate the difficulties associated with measuring the distance between satellite **104** and mobile phone **108** in a dynamic environment. This dynamic environment is created by the movement of satellite **104** in its orbit **O** and the movement of UT **108** on the earth's surface, where the distance between satellite **104** and UT **108** continuously changes. This makes it difficult to accurately measure the distance between them and ultimately the position of UT **108**.

In this example environment and hereinafter, gateway **112** communicates with UT **108** via satellite **104**. At a time t_1 , gateway **112** transmits a forward uplink paging signal S_{fu} to satellite **104**. The reason for designating this time as t_{-1} will be made clear below. At time t_0 , circuitry in satellite **104** converts signal S_{fu} to a forward downlink signal S_{fd} and transmits it to UT **108**. UT **108** receives signal S_{fd} at time t_1 . UT **108** immediately transmits a reverse uplink signal S_{ru} which is received by satellite **104** at time t_2 . Satellite **104** converts signal S_{ru} to a reverse downlink signal S_{rd} which is then transmitted to gateway **112**, where it is received by gateway **112** at time t_3 . Signals S_{fu} and S_{fd} are transmitted on one or more paging channels. Signals S_{ru} and S_{rd} are transmitted on an access channel which is used by user terminals to "access" a gateway. A user terminal accesses a gateway to register with the system, to place a call, or to acknowledge a paging request sent by the gateway, by transmitting data on the access channel that contains an access message.

During the elapsed time period between times t_0 and t_2 , that is, $t_2 - t_0$, satellite **104** has changed its position. UT **108** may also have changed its position. However, for reasons mentioned above, the position change of UT **108** may be ignored. As a result, the range between UT **108** and satellite **104** changes from R_1 to R_2 . As noted above, the largest contribution to this change in position is due to the movement of the satellite in orbit.

The present invention is described in terms of this example environment. Description in these terms is provided for convenience only. It is not intended that the invention be limited to applications in this example environment. In fact, after reading the following description, it will become apparent to a person skilled in the relevant art how to implement the invention in alternative environments.

3. The Present Invention

In the present invention, gateway **112** transmits paging signal S_{fu} at periodic intervals. For purposes of this invention, signal S_{fu} is deemed to be transmitted by gateway **112** at time t_{-1} and received by satellite **104** at time t_0 . A transmitter, located at gateway **112**, pre-corrects the frequency of forward link signal S_{fu} to compensate for the Doppler shift due to the relative motion between satellite **104** and gateway **112**. Because the relative motion of satellite **104** with respect to gateway **112** is well known, the signal is compensated so that when the signal reaches satellite **104**, the signal does not appear to have experienced any Doppler shift due to the relative motion. In other words, signal S_{fu} is pre-corrected by the transmitter to compensate for the Doppler shift.

In addition, the transmitter at gateway **112** pre-corrects the timing of signal S_{fu} . Signal delays on the order of 5–15 ms can occur between the time of transmission from gateway **112** to the time of receipt by satellite **104** and vice versa. Similar delays occur in signals transmitted between satellite **104** and UT **108**. In the forward link, only the timing of signal S_{fu} is pre-corrected. The timing of signal S_{fu} is continuously adjusted so that the signal arrives at the satellite with known timing or at a known time, referred to as satellite time. Thus, the gateway transmitter adjusts the timing of signal S_{fu} transmitted to satellite **104** so that the signal is synchronized at the satellite at a predetermined time regardless of the distance between the gateway and the satellite.

One result of pre-correcting the timing is that the timing uncertainty at the user terminal due to variation in propagation delay is reduced. Because the timing of the uplink portion of the forward link signal is known, the only uncertainty due to propagation delay occurs in the downlink portion of the forward link. Thus, by pre-correcting the timing, the timing uncertainty in the forward link signal is reduced by approximately one half.

Analogous post-correction adjustments to frequency and timing are made to signal S_{rd} , transmitted from satellite **104** to gateway **112**. However, since the range between satellite **104** and UT **108** is not known, the system cannot pre-correct signals S_{fd} or S_{ru} .

Continuously pre-correcting and post-correcting the timing of the signal in a CDMA systems results in each code in a PN spreading code sequence arriving at any particular satellite or gateway at the same time as other satellites or gateways regardless of the distance between the gateway and the satellite. In other words, the uplink portion of the forward link signal at the satellite and the downlink portion of the reverse link signal at the gateway do not exhibit any code Doppler. Preferably, therefore, signal S_{fu} is pre-corrected for Doppler and time so that the signal that is received at satellite **104** is effectively seen by satellite **104** as though it had been transmitted instantaneously from gateway **112**. Thus the time at which satellite **104** receives signal S_{fu} is designated as time t_0 .

Pre-correction and post-correction of signals is described in detail in U.S. patent application Ser. No. 08/723,490, entitled "Time and Frequency Correction For Non-Geostationary Satellite Communications System," filed Sep. 30, 1996, in the name of S. Kremm, the disclosure of which is incorporated by reference herein in its entirety.

As noted above, gateway **112** transmits a message as a carrier modulated signal S_{fu} on the paging channel of the satellite communications system at time t_{-1} . This message contains at least the time of transmission of the message adjusted for the pre-correction performed by gateway **112**. Satellite **104** sends carrier modulated signal S_{fd} at time t_0 .

Signal S_{fd} is received by UT **108** at time t_1 . Upon receipt of signal S_{fd} , UT **108** immediately transmits a carrier modulated reply message as signal S_{ru} . The reply message contains information to be used by gateway **112** to determine round trip delay. An important piece of information contained in the reply message is the time of receipt of signal S_{fd} as perceived by UT **108**. However, this time information cannot be used directly by gateway **112**. The time of receipt of signal S_{fd} at UT **108** is measured according to a local user terminal time based on signals provided by a local oscillator in UT **108**. The problem is that the local oscillator in UT **108** is inherently unstable or variable. That is, to reduce costs and simplify circuits, UT oscillators tend to be relative inexpensive and subject to drift and other variations which make them inaccurate, creating errors in the output signal, and, thus, any time measurements based on such signals. The crystal oscillator in UT **108** may have a frequency error on the order of 10 ppm. This can introduce significant errors into the time measurements.

The reply message transmitted by UT **108** on signal S_{ru} is received at satellite **104** at time t_2 and at gateway **112** as signal S_{rd} at time t_3 . The reply message contains information about the time at which UT **108** received the transmitted message sent by gateway **112**, as that time is perceived by UT **108**. Gateway **112** waits for a period of time after it begins to receive signal S_{rd} before taking measurements of the information contained in signal S_{rd} at time t_4 . The goal is to wait as long as possible after the start of the message. This ensures a more accurate measurement because the time tracking circuitry locks in more solidly the longer the wait.

There is a problem with waiting too long to begin measuring the timing of the message in signal S_{rd} . UT **108** can start its transmission at the point at which UT **108** perceives time. However, UT **108** must construct its message and put into the message the time at which it received the message in signal S_{fd} and the time at which it begins transmission of the reply message on signal S_{rd} . What goes into the reply message is the time T_{RX} at which UT **108** received the message on signal S_{fd} . This is equal to the time T_{TX} at which UT **108** transmits its message on signal S_{ru} .

The reply message signal generated by UT **108** has certain characteristics. One is that data is clocked out at a certain rate. Another characteristic is that the information signal is modulated onto a carrier frequency. Both characteristics are derived from the same inherently error prone crystal oscillator in UT **108**. If gateway **112** can measure the frequency of the signal generated by UT **108** and can determine what that frequency should be, and by measurement gateway **112** knows what that frequency actually is, then gateway **112** can determine the characteristics of the local oscillator of UT **108** based on the difference in frequency measurement. Now, knowing the information about UT **108**'s local oscillator, which is also being used to clock the data transmitted on signals S_{ru} and S_{rd} , gateway **112** can use that information to determine the true length of the message transmitted by UT **108**. From that information, gateway **112** can then determine a better estimate of the actual beginning of the message transmitted by UT **108**.

A feature of the present invention is the recognition that gateway **112** can use the frequency measurement it makes on the signal received from UT **108**, and compare that measured frequency to a theoretical carrier frequency to determine a best estimate of the actual time at which UT **108** began transmitting its message. By itself, however, this measurement does not provide the necessary information to accurately determine the position of UT **108**. Merely measuring the frequency of the signal transmitted by UT **108**

does not take into account the Doppler effect caused by the movement of satellite **104** in its orbit. The Doppler effect causes the frequency of the received signal to differ from the frequency of the transmitted signal. Moreover, each of signals S_{fd} , S_{ru} , and S_{rd} is affected by Doppler. The Doppler itself changes. This creates a second order effect which can either be accounted for in the algorithm or method steps of the invention, or can be ignored.

The method and system of the present invention makes one set of measurements needed for position determination. The present invention compensates for the errors in the internal clock timing of UT **108** to determine the distance between UT **108** and satellite **104** at some instant in time. From that, the position of UT **108** can then be determined. Gateway **112** begins to measure the signal received from UT **108** at time t_4 . Gateway **112** then measures the length of the message received from UT **108**. Gateway **112** then subtracts the message length from the time of measurement to determine the start time of the received message. This measurement provides an accurate start/receive time t_3 of the received signal. From this information, the distance between satellite **104** and UT **108** can be calculated.

Another measurement that is made is the carrier frequency of the signal received at gateway **112**. By correcting for Doppler, the transmitting frequency of UT **108** can then be determined.

In summary, the following information is either known or can be calculated or estimated:

1. The frequency of signal S_{rd} received at gateway **112** can be measured.
2. The distance between gateway **112** and satellite **104** is known to a good approximation.
3. The frequency of signal S_{fu} from gateway **112** to satellite **104** is known.
4. Doppler between gateway **112** and satellite **104** is known.
5. The frequency of signal S_{ru} at satellite **104** can be calculated from the above known or measured information.
6. Doppler of signal S_{fd} from satellite **104** to UT **108** can be reasonably estimated.

From the foregoing known, measurable or reasonably estimable information, it is possible to correct back to estimate the transmitting frequency of UT **108**.

Satellite **104** contains a translator for translating forward uplink frequencies to forward downlink frequencies and for translating reverse uplink frequencies to reverse downlink frequencies. While these frequencies are assumed to be different in the present example system, they can be the same in some communication system designs to simplify the transfer process, which will still suffer from Doppler. In the satellite the translator translates not only the nominal frequencies; it also translates the Doppler frequencies. Thus, the actual frequency that is translated is the nominal plus Doppler ($f_n + f_d$).

The present invention is primarily intended to operate in an environment in which the satellite acts only as a "bent pipe" with a frequency translator. The satellites contemplated for use with this invention do not have intelligence built into them to accomplish such tasks as correcting for Doppler. In addition, it would be very difficult for the satellite to correct for Doppler on the reverse uplink and forward downlink frequencies. This is because the satellite does not know the location of the user terminal. Furthermore, the satellite is receiving signals from and sending signals to multiple user terminals simultaneously.

Even if the locations of the user terminals were known, the satellite could not correct for Doppler for each concurrent transmission to and from multiple user terminals. It would be apparent to one skilled in the relevant arts to make the appropriate modifications in the relevant algorithms should it be desired to utilize the techniques of the present invention in a satellite system that has the intelligence to correct for Doppler on one or both of the uplink and downlink signals.

FIG. **2** shows a timing diagram of the forward downlink and reverse uplink signals. In the figure, point t_a represents the timing point of the forward downlink signal which is selected by UT **108** as the marker at which UT **108** begins its transmission of a reply signal to be used by gateway **112** to determine round trip signal delay. Time marker t_a is generated by gateway **112** and its temporal position within signals S_{fu} and S_{fd} is known by the gateway. Marker t_a is transmitted from satellite **104** as part of signal S_{fd} and is received at UT **108** after a delay D_1 . Delay D_1 is a function of the distance between satellite **104** and UT **108**. Immediately upon receipt by UT **108** of marker t_a , and subject to a small built in delay D_r , on the order of not more than about 200 microseconds to avoid collisions between signals from different UTs, UT **108** begins transmitting a reply signal on its reverse uplink channel.

While various access signal formats can be used, a preferred structure for the access signal transmitted by UT **108** contains three parts: a preliminary preamble (block A), a main preamble (block B), and a data block (block C). Therefore, each access message is divided into a preamble address portion (blocks A and B in FIG. **2**) and a data portion (data block C in FIG. **2**). The transmission of each message preamble portion precedes the transmission of the data portion by a predetermined period of time to allow a gateway to adjust its tracking circuitry and synchronize with the received signal before the arrival of the data portion. The use of this type of signal is discussed in more detail in U.S. patent application Ser. No. 09/098,631, entitled "Rapid Signal Acquisition And Synchronization For Access Transmissions," filed Jun. 16, 1998 the disclosure of which is incorporated herein by reference in its entirety.

Signal S_{ru} is received at satellite **104** time t_m . This is the point at which the end of the preamble (blocks A and B) is received by satellite **104**. The delay period D_2 equals the satellite path delay at t_m , that is the delay in transmission time due to the distance between UT **108** and satellite **104**. The signal comprising preamble blocks A and B and data block C is actually received at gateway **112**. However, since gateway **112** knows at any one time the exact location of satellite **104**, the gateway circuitry can perform post-correction on reverse downlink signal S_{rd} to determine when the end of preamble blocks A and B of signal S_{ru} was received at satellite **104**. Data block C contains information about time marker t_a . Gateway **112** also knows the length of blocks A and B. Gateway **112** does not know the length of gaps D_1 or D_2 or the frequency of the signal transmitted by UT **108**.

In addition, gateway **112** must take into account the Doppler frequency. An assumption can be made that the Doppler does not change significantly over the course of the transmission from UT **108** to satellite **104**.

According to the present invention, gateway **112** transmits a signal on the paging channel. The signal is received by UT **108** after a propagation delay D_1 . The distance traversed by the signal between gateway **112** and UT **108** is referred to as the forward distance.

The UT transmits a preamble portion of an access message after a predetermined guard interval D_r , in order to

avoid access signal collisions. The preamble portion is received by gateway **112** after a propagation delay D_2 . The distance traversed by the preamble portion between UT **108** and satellite **104** is referred to as the reverse distance.

When UT **108** receives the signal transmitted by the gateway, it measures a first frequency from the transmitted gateway signal and relays the measurement back to gateway **112** in the data portion of the access message. Alternatively, to reduce complexity and simplify the process, the UT measures a relative offset of the received signal from the internal oscillator frequency and provides this measured offset as data to the gateway. Gateway **112** measures a second frequency from the data portion.

One goal is to solve for D_{meas} , which is the measured delay between the time t_b that the end of the preamble portion is expected to be received and the time t_m when the end of the preamble portion is actually received at satellite **104**.

The present invention can be categorized into four separate but related methods. Method 1 is a high accuracy implementation requiring frequency measurements at both the UT and the gateway and yields the satellite to UT range at the time instance corresponding to the start of the access slot at the gateway. Method 2 is a less accurate approximation of method 1. Method 2 requires a frequency measurement only at the gateway. Method 3 is a high accuracy implementation requiring frequency measurements at both the UT and the gateway and yields the satellite to UT range at the time instance at which the end of the preamble portion (t_m) is received at the gateway. Method 4 is a less accurate version of method 3. Method 4 requires a frequency measurement only at the UT. These methods are discussed in detail below, with reference to the following index:

t_a =start of access probe on paging channel at satellite **104** (and at gateway **112**, as a result of pre-correction).

$t_b=t_a+D_{ba}$

t_m =measurement at satellite **104** (and at gateway **112**, as a result of post correction).

D_{ba} =predetermined duration of the preamble of signal S_{ru} (for example, the nominal length of preamble blocks A and B of the access probe).

D'_{ba} =the predetermined duration of the preamble of signal S_{ru} as generated with error by the UT clock error.

D_r =random delay between receipt of signal S_{fd} at UT **108** and the start of transmission of signal S_{ru} (for collision avoidance).

D'_r =random delay as actually generated by UT **108** due to clock error.

D_1 =satellite-UT path delay at t_a

D_2 =UT-satellite path delay at t_m (satellite-gateway delay is known and pre-corrected).

f_F =nominal carrier frequency transmitted from the satellite to the UT (known as the "forward frequency")

f_R =nominal carrier frequency transmitted from the UT to the satellite (known as the "reverse frequency")

f_{offset} =frequency offset of the UT at the frequency f_F

f_D =Doppler shift of frequency f_F

f_D/f_0 =normalized Doppler frequency

D_{meas} =the measured delay between the expected end of the preamble portion and the actual received end of the preamble portion.

$R_1=R_{sat-UT}(t_a)$, (t_a) is a well defined time instance at gateway **112**.

$R_2=R_{sat-UT}(t_m)$, t_m , when gateway **112** identifies the end of the received the preamble portion, is also a well defined time instance at gateway **112**.

$\dot{R}_1=\dot{R}_2=\dot{R}$, (the range rate is assumed constant) C =velocity of light

Referring now to FIG. 2, at time t_a , satellite **104** transmits a signal S_{fd} on the paging channel. UT **108** receives signal S_{fd} after a delay period D_1 . D_1 , which is also known as the satellite-phone path delay, is given by the relationship

$$D_1 = \frac{R_1}{c}$$

where

R_1 =the distance or range between satellite **104** and UT **108** at the time of transmission of signal S_{fd} .

UT **108** measures the frequency of the received signal S_{fd} . This measurement is offset from the actual transmitted frequency due to two factors: local oscillator error of the UT's internal clock; and the Doppler effect caused by the relative movement between satellite **104** and UT **108**. The measured value of the frequency of signal S_{fd} as perceived by UT **108** is encoded into the data portion of signal S_{ru} and transmitted back to gateway **112**. Signal S_{ru} is transmitted at the exact moment that time marker t_a is received at the antenna of UT **108**, plus, as noted above, a short delay D_r to avoid signal collision.

The signal S_{ru} , comprising the preamble portion and data portion of the access message, is received at gateway **112** at time t_m . From the information contained in signal S_{ru} , gateway **112** can determine the time at which the end of the preamble portion was expected to arrive at gateway **112** (time t_b) and from this, gateway **112** can determine the round trip delay (RTD).

Note that during the time period between t_a and t_b , due to the movement of satellite **104** in orbit, and also the movement of UT **108**, both satellite **104** and UT **108** change their position. Consequently, the range between satellite **104** and UT **108** changes from R_1 to R_2 .

At time t_m , satellite **104** receives the end of the preamble portion. The UT-satellite path delay is D_2 which is given by the relationship

$$D_2 = \frac{R_2}{c}$$

Also at time t_m , satellite **104** measures (f_D+f_{offset}) from signal S_{ru} .

As noted previously, the present invention provides a method to determine the round trip delay of the access channel signal in a dynamic environment created by the movement of satellite **104** and UT **108**. This movement of satellite **104** and UT **108** introduces Doppler frequency f_D in signal S_{fd} and signal S_{ru} . The Doppler frequency f_D is given by the relationship:

$$f_D = \dot{R} \frac{f_F}{c} \quad \text{or} \quad \dot{R} = -f_D \frac{c}{f_F}$$

where $\dot{R}=dR/dt$, f_F is the oscillator frequency at satellite **104** and c is the speed of light.

In order to simplify the analysis, an assumption is made that the rate of change of R_1 and R_2 is constant, i.e., $\dot{R}_1=\dot{R}_2=\dot{R}$. This implies that the Doppler frequency f_D is also constant. Now, from FIG. 2 we get:

$$R_2 = R_1 + \dot{R}(t_m - t_a) \quad (1)$$

Next, we substitute $(t_m - t_a) = (D'_{ba} + D'_r + D_1 + D_2)$ in equation (1) and get:

$$R_2 = R_1 + \dot{R}(D'_{ba} + D'_r + D_1 + D_2) \quad (2)$$

Next, we substitute $-cf_D/f_F$ in equation (2) and get

$$R_2 = R_1 - c \frac{f_D}{f_F} (D'_{ba} + D'_r + D_1 + D_2) \quad (3)$$

$$D_{meas} = D_1 + D'_{ba} + D'_r + D_2 - D_{ba} \quad (4)$$

Next, we substitute $D'_{ba} = D_{ba}(1 - f_{offset}/f_F)$ and $D'_r = D_r(1 - f_{offset}/f_F)$ in equation (4) and get

$$D_{meas} = \frac{R_1}{c} + (D_{ba} + D_r) \left(1 - \frac{f_{offset}}{f_F}\right) + \frac{R_1}{c} - \frac{f_D}{f_F} \left[(D_{ba} + D_r) \left(1 - \frac{f_{offset}}{f_F}\right) + \frac{R_1}{c} + \frac{R_2}{c} \right] - D_{ba} \quad (5)$$

or,

$$D_{meas} = \frac{R_1}{c} + (D_{ba} + D_r) \left(1 - \frac{f_{offset}}{f_F}\right) - D_{ba} + \frac{R_1}{c} - \frac{f_D}{f_F} \left[(D_{ba} + D_r) \left(1 - \frac{f_{offset}}{f_F}\right) + \frac{R_1}{c} + \frac{R_2}{c} \right] - \frac{f_D}{f_F} \left[(D_{ba} + D_r) \left(1 - \frac{f_{offset}}{f_F}\right) + \frac{R_1}{c} + \frac{R_2}{c} \right] \quad (6)$$

or,

$$D_{meas} = 2 \frac{R_1}{c} \left(1 - \frac{f_D}{f_F}\right) + (D_{ba} + D_r) \left(1 - \frac{f_{offset}}{f_F}\right) \left(1 - \frac{f_D}{f_F}\right) - D_{ba} + \left(\frac{f_D}{f_F}\right)^2 \left[(D_{ba} + D_r) \left(1 - \frac{f_{offset}}{f_F}\right) + \frac{R_1}{c} + \frac{R_2}{c} \right] \quad (7)$$

In order to further simplify equation (7), we make the following approximation. Since both the local oscillator error frequency f_{offset} and the Doppler frequency f_D are very small, we ignore the terms multiplied by f_{offset}/f_0 or by f_D^2/f_0 . As a result, we get

$$D_{meas} = 2 \frac{R_1}{c} \left(1 - \frac{f_D}{f_F}\right) + (D_{ba} + D_r) \left(1 - \frac{f_{offset}}{f_F}\right) - D_{ba} \quad (8)$$

Next, we rearrange equation (8) and get

$$R_1 = \frac{c}{2 \left(1 - \frac{f_D}{f_F}\right)} \left[D_{meas} - D_r + (D_{ba} + D_r) \frac{f_D + f_{offset}}{f_F} \right] \quad (9)$$

Note that in Equation (9) which represents method 1, R_1 is given as a function of f_D , f_{offset} , f_F , D_{meas} , D_r and D_{ba} . Except for f_D and f_{offset} , which are measured at gateway **112** and UT **108**, the other terms are known. In particular, method 1 requires $(f_D + f_{offset})$ and f_D . Since, $(f_D + f_{offset})$ is measured at gateway **112**, it is readily available at gateway **112**. However, f_D by itself is not readily available at gateway **112**. In order to get f_D , UT **108** must measure $(f_D - f_{offset})$ and report the measurement to gateway **112**. Then, from $(f_D + f_{offset})$ and $(f_D - f_{offset})$, f_D is determined.

The principal advantage of method 1 is that it provides an accurate result for R_1 . However, since method 1 requires both f_D and $(f_D + f_{offset})$, it requires measurements at both gateway **112** and UT **108**.

The robustness of Equation (9) can be easily verified by testing whether it provides a correct formula when two objects have fixed positions. When satellite **104** and UT **108** have fixed positions, f_D and f_{offset} are both zero. In that scenario, Equation (9) is reduced to the following equation:

$$R_1 = c \frac{D_{meas} - D_r}{2} \quad (10)$$

Thus, Equation (10) provides a correct formula when two objects have fixed positions. In reality, however, Equation (10) is solely used for verifying the various assumptions made in arriving at Equation (9) since satellite **104** and UT **108** do not have fixed positions.

METHOD 2

Since the maximum normalized Doppler shift (approximately 20 ppm) is considerably larger than normalized offset frequency, we can approximate f_D/f_F by

$$\frac{(f_D + f_{offset})}{f_F}$$

in method 1 to get:

$$R_1 \approx \frac{c}{2 \left(1 - \frac{f_D + f_{offset}}{f_F}\right)} \left[D_{meas} - D_r + (D_{ba} + D_r) \frac{f_D + f_{offset}}{f_F} \right] \quad (11)$$

Note that method 2, which is given by Equation (11), requires only one measurement at gateway **112**. Thus, method 2 eliminates an additional measurement at UT **108**. However, method 2 is less accurate than method 1, and the worst case normalized error in method 2 is f_{offset}/f_F .

METHOD 3

As noted previously, method 3 provides a solution for R_2 . Method 3 differs from method 1 by expressing R_1 as a function of R_2 . From equation (1), we get:

$$R_1 = R_2 - \dot{R}(t_m - t_a) = R_2 - \dot{R}(D'_{ba} + D_r + D_1 + D_2) \quad (12)$$

Following an analysis similar to the one performed in method 1, we get:

$$R_1 \approx \frac{c}{2 \left(1 + \frac{f_D}{f_F}\right)} \left[D_{meas} - D_r - (D_{ba} + D_r) f_D - \frac{f_{offset}}{f_F} \right] \quad (13)$$

Note that Equation (13) requires both $(f_D - f_{offset})$ and f_D . Since $(f_D - f_{offset})$ is measured at the UT, it is readily available at the UT. However, f_D is available only if in addition to the measurement at the UT, the gateway performs its own measurement. The principal advantage of method 3 is that it provides an accurate result for R_2 . However, method 3 requires measurements at both the gateway and the UT.

The robustness of Method 3 can also be verified by assuming that the satellite **104** and UT **108** have fixed positions. When satellite **104** and UT **108** are assumed to have fixed positions, we get:

$$R_2 = c \frac{D_{meas} - D_r}{2} \quad (14)$$

METHOD 4

Since the maximum normalized Doppler shift (approximately 20 ppm) is much greater than normalized offset frequency, we can approximate f_D/f_F by in

$$\frac{(f_D - f_{offset})}{f_F}$$

method 3 to get:

$$R_2 \approx \frac{c}{2 \left(1 + \frac{f_D + f_{offset}}{f_F} \right)} \left[D_{meas} - D_r + (D_{ba} + D_r) \frac{f_D + f_{offset}}{f_F} \right] \quad (15)$$

Note that method 4 requires only one measurement at the UT. Thus, method 4 eliminates an additional measurement at the gateway.

Two measured frequencies are available at gateway **112**, as follows:

- 1) the reported measurement from the UT:

$$f_{meas,UT} = f_F \left(-\frac{\dot{R}}{c} - \frac{f_{offset}}{f_F} \right) \quad (16)$$

where f_F =the forward link carrier frequency (2500 MHz).

- 2) the measurement performed at the GW itself:

$$f_{meas,GW} = f_R \left(-\frac{\dot{R}}{c} + \frac{f_{offset}}{f_F} \right) \quad (17)$$

where f_R =the reverse link carrier frequency (1600 MHz).

Adding and subtracting (16) and (17) yields both the UT offset and the range-rate:

$$\dot{R} = -\frac{c}{2} \left(\frac{f_{meas,GW}}{f_R} + \frac{f_{meas,UT}}{f_F} \right) \quad (18)$$

$$\frac{f_{offset}}{f_F} = \frac{1}{2} \left(\frac{f_{meas,GW}}{f_R} - \frac{f_{meas,UT}}{f_F} \right) \quad (19)$$

The Doppler and offset frequencies at the forward frequency are:

$$f_D @ f_F = -\frac{\dot{R}}{c} f_F = \frac{1}{2} \left(\frac{f_F}{f_R} f_{meas,GW} + f_{meas,UT} \right) \quad (20)$$

$$f_{offset} @ f_F = \frac{1}{2} \left(\frac{f_F}{f_R} f_{meas,GW} - f_{meas,UT} \right) \quad (21)$$

The difference between the time of the GW and the UT measurements is accounted for as follows:

$$\dot{R}_1 \neq \dot{R}_2$$

$$f_{meas,UT} = f_F \left(-\frac{\dot{R}_1}{c} - \frac{f_{offset}}{f_F} \right) \quad (22)$$

$$f_{meas,GW} = f_R \left(-\frac{\dot{R}_2}{c} + \frac{f_{offset}}{f_F} \right) \quad (23)$$

$$\bar{f}_D @ f_F = -\frac{\dot{R}_1 + \dot{R}_2}{2c} f_F = \frac{1}{2} \left(\frac{f_F}{f_R} f_{meas,GW} + f_{meas,UT} \right) \quad (24)$$

$$f_{offset} @ f_F = \frac{1}{2} \left(\frac{f_F}{f_R} f_{meas,GW} - f_{meas,UT} \right) + \frac{f_F}{2c} (\dot{R}_2 - \dot{R}_1) \quad (25)$$

$$\approx \frac{1}{2} \left(\frac{f_F}{f_R} f_{meas,GW} - f_{meas,UT} \right)$$

FIG. 3 is a flow diagram illustrating both methods 1 and 3. Referring now to FIG. 3, in step **404**, gateway **112** transmits signal S_{fd} at time t_a . Next, in step **408**, UT **108** receives signal S_{fd} after a propagation delay D_1 . Next, in step **412**, UT **108** measures $(f_D - f_{offset})$ from signal S_{fd} and reports the measurement to the gateway. In step **416**, UT **108** transmits signal S_{ru} after a delay of D'_r . In step **420**, gateway **112** receives signal S_{ru} after a propagation delay of D_2 . In step **424**, gateway **112** measures $(f_D + f_{offset})$ from signal S_{ru} . Finally, in step **428**, gateway **112** determines R_1 and R_2 from the measurements.

FIG. 4 is a flow diagram illustrating the steps involved in method 2 and FIG. 5 is a flow diagram illustrating the steps involved in method 4. Since the steps involved in methods 2 and 4 are very similar to the steps in methods 1 and 3, they will not be separately described herein.

The present invention contemplates that the ranges R_1 and R_2 and the location of the UT **108** can also be determined at the UT. In one alternate embodiment of the present invention, UT **108** measures $(f_D - f_{offset})$ from D_{ba} . Gateway **112** measures $(f_D - f_{offset})$ from D'_{ba} and reports the measurement to UT **108**. Using these two measurements, UT **108** determines R_1 and R_2 . Finally, UT **108** determines its own location using the method described before.

In summary, the present invention provides four different methods for determining R_1 or R_2 . Methods 1 and 2 provide solutions for R_1 . Method 1 provides a highly accurate solution for R_1 , but it requires two frequency measurements. Method 2 requires only one frequency measurement, but is less accurate than method 1. Methods 3 and 4 provide solutions for R_2 . Method 3 provides a highly accurate solution for R_2 , but it also requires two frequency measurements. Method 4 requires only one frequency measurement, but it is less accurate than method 3.

The present invention also provides a method to determine the range-rate between the satellite and the UT (Equation 8). The information of the RTD and the range-rate is sufficient to determine the location of a UT on the earth's surface.

While various embodiments of the present invention have been described above, it should be understood that they have been presented by way of example only, and not limitation. Thus, the breadth and scope of the present invention should not be limited by the above-described exemplary embodiments, but should be defined only in accordance with the following claims and their equivalents.

What we claim as our invention is:
1. A method for determining a round trip delay of signals transmitted between first and second objects that move relative to each other, comprising:

17

transmitting a first signal from said first object to said second object;
 receiving said first signal at said second object after a propagation delay D_1 , said delay D_1 being the time taken by said first signal to traverse from said first object to said second object;
 measuring at said second object, a first frequency associated with said first signal;
 transmitting from said second object to said first object, a second signal containing a report of the measured first frequency;
 receiving said second signal at said first object after a propagation delay D_2 , D_2 being the time taken by said second signal to traverse from said second object to said first object;
 measuring an elapsed time between the transmitting of the first signal and the receiving of the second signal;
 measuring at said first object, a second frequency associated with said second signal; and
 determining said round trip delay at said first object, said round trip delay being based upon (i) the measured first and second frequencies and (ii) the measured elapsed time.

2. The method according to claim 1, wherein said first object is a wireless telephone system orbiting satellite and said second object is a wireless telephone system user terminal (UT).

3. The method according to claim 1, wherein said first object is a wireless telephone system gateway and said second object is a wireless telephone system user terminal (UT).

4. The method according to claim 1, wherein said first frequency is $(f_D - f_{offset})$, where f_D is the Doppler frequency of the first signal transmitted between said first object and said second object and f_{offset} is the second object's local oscillator error frequency.

5. The method according to claim 1, wherein said second frequency is $(f_D + f_{offset})$, where f_D is the Doppler frequency of the second signal transmitted between said second object and said first object and f_{offset} is the second object's local oscillator error frequency.

6. The method of claim 1, wherein the transmitting at said second object occurs within a predetermined time of receipt of said first signal.

7. A method for determining a round trip delay of signals transmitted between first and second objects that move relative to each other, comprising the steps of:

transmitting a first signal from said first object;
 receiving said first signal at said second object after a propagation delay D_1 ;
 transmitting a second signal from said second object to said first object upon receipt of said first signal;
 receiving said second signal at said first object after a propagation delay D_2 ;
 measuring, at said first object, a frequency from said second signal; and
 determining, at said first object, said round trip delay from said frequency, said round trip delay being a function of the delay experienced by said first signal during propagation from said first object to said second object.

8. The method according to claim 7, wherein said measured frequency is $(f_D + f_{offset})$, where f_D is the Doppler frequency of the second signal and f_{offset} is the second object's local oscillator error frequency.

9. The method according to claim 7, wherein said first object is a wireless telephone system orbiting satellite and said second object is a wireless telephone system user terminal (UT).

18

10. The method according to claim 7, wherein said first object is a wireless telephone system gateway and said second object is a wireless telephone system user terminal (UT).

11. A method for determining a round trip delay of signals transmitted between first and second objects that move relative to each other, comprising the steps of:

transmitting a first signal from said first object;
 receiving said first signal at said second object after a propagation delay D_1 ;
 measuring, at said second object, a frequency from said first signal;
 transmitting, from said second object to said first object, a second signal containing a report of the measured first signal frequency;
 receiving, at said first object, said second signal after a propagation delay D_2 ; and
 determining, at said first object, said round trip delay from said first signal frequency, said round trip delay being a function of the delay experienced during propagation of said second signal from said second object to said first object.

12. The method according to claim 11, wherein said frequency is $(f_D - f_{offset})$, where f_D is the Doppler frequency of the first signal and f_{offset} is the second object's local oscillator error frequency.

13. The method according to claim 11, wherein said first object is a wireless telephone system orbiting satellite and said second object is a wireless telephone system user terminal (UT).

14. The method according to claim 11, wherein said first object is a wireless telephone system gateway and said second object is a wireless telephone system user terminal (UT).

15. A system for determining a round trip delay of signals transmitted between first and second objects that move relative to each other, comprising:

means for transmitting a first signal from said first object;
 means for receiving said first signal at said second object after a propagation delay D_1 , said delay D_1 being the time taken by said first signal to traverse from said first object to said second object;
 means for measuring at said second object, a first frequency associated with said first signal;
 means for transmitting from said second object to said first object, a second signal containing a report of the measured first frequency;
 means for receiving said second signal at said first object after a propagation delay D_2 , D_2 being the time taken by said second signal to traverse from said second object to said first object;
 means for measuring an elapsed time between the transmitting of the first signal and the receiving of the second signal;
 means for measuring at said first object, a second frequency from said second signal; and
 means for determining said round trip delay at said first object, said round trip delay being based upon (i) the measured first and second frequencies and (ii) the measured elapsed time.

16. The system according to claim 15, wherein said first frequency is $(f_D - f_{offset})$, where f_D is the Doppler frequency of the first signal and f_{offset} is the second object's local oscillator error frequency.

17. The system according to claim 16, wherein said second frequency is $(f_D + f_{offset})$, where f_D is the Doppler

19

frequency and f_{offset} is the second object's local oscillator error frequency.

18. The system according to claim 15, wherein said first object is a wireless telephone system orbiting satellite and said second object is a wireless telephone system user terminal (UT).

19. The system according to claim 15, wherein said first object is a wireless telephone system gateway and said second object is a wireless telephone system user terminal (UT).

20. A system for determining a round trip delay of signals transmitted between first and second objects that move relative to each other, comprising:

means for transmitting a first signal from said first object;
means for receiving said first signal at said second object after a propagation delay

means for measuring at said second object, a first frequency associated with said first signal;

means for transmitting from said second object to said first object, a second signal containing a report of the measured first frequency;

means for receiving said second signal at said first object after a propagation delay of D_2 ;

means for measuring an elapsed time between the transmitting of the first signal and the receiving of the second signal;

means for measuring at said first object, a second frequency associated with said second signal; and

means for determining said round trip delay at said first object, said round trip delay being based upon (i) the measured first and second frequencies and (ii) the measured elapsed time.

21. The system according to claim 20, wherein said first frequency is $(f_D - f_{offset})$, where f_D is the Doppler frequency of said first signal and f_{offset} is the second object's local oscillator error frequency.

22. The system according to claim 21, wherein said second frequency is $(f_D + f_{offset})$, where f_D is the Doppler frequency of said second signal and f_{offset} is the second object's local oscillator error frequency.

23. The system according to claim 20, wherein said first object is a wireless telephone system orbiting satellite and said second object is a wireless telephone system user terminal (UT).

24. The system according to claim 20, wherein said first object is a wireless telephone system gateway and said second object is a wireless telephone system user terminal (UT).

25. A system for determining a round trip delay of signals transmitted between first and second objects that move relative to each other, comprising:

means for transmitting a first signal from said first object;
means for receiving said first signal at said second object after a propagation delay D_1 ;

means for transmitting a second signal from said second object to said first object upon receipt by said second object of said first signal;

means for receiving said second signal at said first object after a propagation delay D_2 ;

means for measuring, at said first object, a frequency from said second signal; and

means for determining, at said first object, said round trip delay from said frequency, said round trip delay being a function of the delay experienced during propagation of said first signal from said first object to said second object.

20

26. The system according to claim 25, wherein said frequency is $(f_D + f_{offset})$, where f_D is the Doppler frequency of said second signal and f_{offset} is the second object's local oscillator error frequency.

27. The system according to claim 25, wherein said first object is a wireless telephone system orbiting satellite and said second object is a wireless telephone system user terminal (UT).

28. The system according to claim 25, wherein said first object is a wireless telephone system gateway and said second object is a wireless telephone system user terminal (UT).

29. A system for determining a round trip delay of signals transmitted between first and second objects that move relative to each other, comprising:

means for transmitting a first signal from said first object;
means for receiving said first signal at said second object after a propagation delay D_1 ;

means for measuring, at said second object, a frequency from said first signal;

means for transmitting, from said second object to said first object, a second signal containing a report of the measured first signal frequency;

means for receiving, at said first object, said second signal after a propagation delay D_2 ; and

means for determining, at said first object, said round trip delay from said measured first signal frequency, said round trip delay being a function of the delay experienced during propagation of said second signal from said second object to said first object.

30. The system according to claim 29, wherein said frequency is $(f_D - f_{offset})$, where f_D is the Doppler frequency and f_{offset} is the second object's local oscillator error frequency.

31. The system according to claim 29, wherein said first object is a wireless telephone system orbiting satellite and said second object is a wireless telephone system user terminal (second object).

32. The system according to claim 29, wherein said first object is a wireless telephone system gateway and said second object is a wireless telephone system user terminal (UT).

33. A method for determining a round trip delay of signals transmitted between first and second objects that move relative to each other, comprising:

transmitting a first signal from said first object;
receiving said first signal at said second object after a propagation delay D_1 ;

transmitting a second signal from said second object to said first object upon receipt of said first signal;

receiving said second signal at said first object after a propagation delay D_2 ;

measuring an elapsed time between the transmitting of the first signal and the receiving of the second signal;

measuring at said first object a frequency associated with said second signal; and

determining said round trip delay at said first object, said round trip delay being based upon (i) the measured frequency and (ii) the measured elapsed time.

34. A method for determining a round trip delay of signals transmitted between first and second objects that move relative to each other, comprising:

transmitting a first signal from said first object;
receiving said first signal at said second object after a propagation delay D_1 ;

21

measuring at said second object, a frequency associated with said first signal;
 transmitting from said second object to said first object, a second signal containing a report of the measured first signal frequency; 5
 receiving at said first object, said second signal after a propagation delay D_2 ;
 measuring an elapsed time between the transmitting of the first signal and the receiving of the second signal; and 10
 determining said round trip delay at said first object, said round trip delay being based upon (i) the measured first signal frequency and (ii) the measured elapsed time.
35. A system for determining a round trip delay of signals transmitted between first and second objects that move 15 relative to each other, comprising:
 means for transmitting a first signal from said first object;
 means for receiving said first signal at said second object after a propagation delay D_1 ;
 means for transmitting a second signal from said second 20 object to said first object upon receipt by said second object of said first signal;
 means for receiving said second signal at said first object after a propagation delay D_2 ;
 means for measuring at said first object, a frequency 25 associated with said second signal;

22

measuring an elapsed time between the transmitting of the first signal and the receiving of the second signal; and means for determining said round trip delay at said first object, said round trip delay being based upon (i) the measured frequency and (ii) the measured elapsed time.
36. A system for determining a round trip delay of signals transmitted between first and second objects that move relative to each other, comprising:
 means for transmitting a first signal from said first object;
 means for receiving said first signal at said second object after a propagation delay D_1 ;
 means for measuring at said second object, a frequency associated with said first signal;
 means for transmitting from said second object to said first object, a second signal containing a report of the measured first signal frequency;
 means for receiving at said first object, said second signal after a propagation delay D_2 ;
 measuring an elapsed time between the transmitting of the first signal and the receiving of the second signal; and means for determining said round trip delay at said first object, said round trip delay being based upon (i) the measured first signal frequency and (ii) the measured elapsed time.

* * * * *